

INDUSTRIAL IP67 WATERPROOF ETHERNET CONNECTORS

Use the Etherbus EB-RJF industrial Ethernet connectors and plugs to make ultra-rugged and reliable connections indoors or outdoors that are water, corrosion and vibration proof. The EB-RJF-BLKHD industrial bulkhead (through-wall) connector gives you a watertight pass-through Ethernet connection. The mating EBRJF-PLUG industrial Ethernet plug is field installable around a standard RJ45 Ethernet connector. These rugged connectors and plugs are the perfect match for the Etherbus Kevlar-reinforced super-rugged Ethernet cabling.

PRODUCT HIGHLIGHTS

- IP67 (NEMA 6) rated to protect against fluids (water, oil, etc.) and dust
- Shock, vibration and traction (pulling) resistant
- Strain relief prevents cable breaks
- Circular reverse-bayonet (1/4-turn) for the quickest and easiest latching – saves time!
- Field-installable plugs – No tools required!
- Fits over standard Ethernet cables
- Truly industrial rated for any application

PERFORMANCE SPECIFICATIONS

- Ethernet data rates supported 10/100/1000 Base T
- Cat 5E cable supported per TIA/EIA 568B and ISO/IEC 11801, Class D
- Cat 6 cable supported per TIA/EIA 568B and ISO/IEC 11801, Class E

MECHANICAL CHARACTERISTICS

- Coupling (connection method) Reverse bayonet – just a quarter turn and lock
- RJ45 cordset retention in the plug 70 N in the axis
- Mating cycles 500 minimum

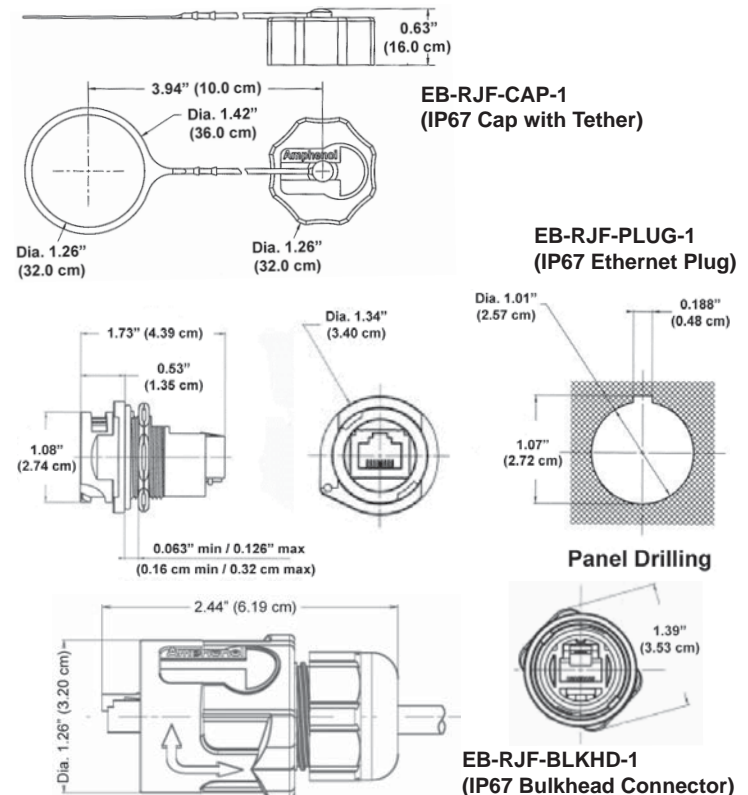
ENVIRONMENTAL

- Sealing protection IP67 and NEMA 6 – dust, oil and water-proof to 1 meter for >30 min
- Salt spray protection 1000 hours minimum
- Fire retardant / low smoke UL94 V0; NFF 16102, DIN 5510-2
- Thermal shock 5 cycles @ -40°C to +100°C
- Operating temperature -40°C to +85°C
- ROHS Compliant

All specifications are subject to change. Consult factory for latest info.



MECHANICAL DRAWINGS



ORDERING GUIDE

EB-RJF-BLKHD-1	IP67 quick-latching (1/4 turn) bulk-head (through-wall) connector
EB-RJF-PLUG-1	IP67 field-installable quick latching (1/4 turn) Ethernet plug
EB-RJF-CAP-1	IP67 protective cap for bulk-head connector